

VETERINARY X-RAYS

FCR *PRIMA* **IT2**

Compact tabletop CR system. Imaging quality without compromise

FUJIFILM





Compact tabletop digital imaging by Fuji

The space saving design of the Fuji Prima T2 offers all of the reliability and acknowledged superior image quality of all Fuji CR systems into a compact tabletop package.

With its high speed image processing utilising the Fuji veterinary specific software, the Fuji Prima T2 has a smaller footprint than most conventional automatic film processors and offers image quality without compromise.

- Smallest ever CR system from Fuji
- On screen image in less than 20 seconds
- Processing capacity up to 73 imaging plates/hr
- Superior Fuji image quality and reliability
- Easy integration into your PACS and practice management systems
- Simple to use fully featured veterinary specific software
- Can be specified with a laptop enabling the system to be used from the boot of a car
- Imaging plate sizes from 18x24cm, 24x30cm and 35x43cm as well as flexible intra oral
- Use with your current x-ray generator

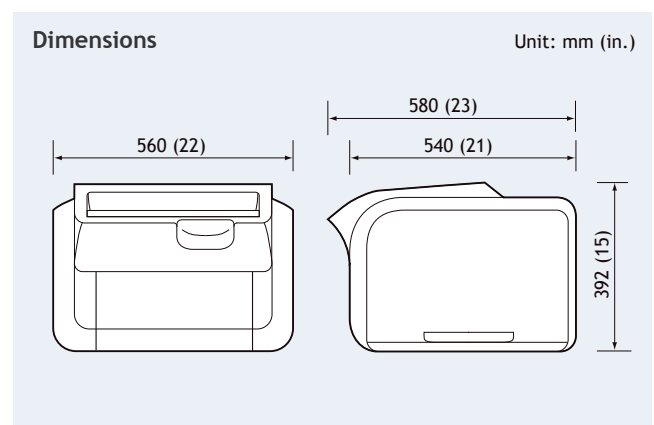
Our standard Fuji Prima T2 package includes absolutely everything you need in a digital imaging system, from delivery and installation through to training and a comprehensive 12 month warranty. We even include the first years' service.

Ongoing support is provided by our own team of Fuji trained in-house engineers.

For your own in surgery demonstration of what Prima T2 can do for you, just contact us on 01844 344 911.

Fuji PRIMA T2 Specification

Imaging Plate Sizes Available	35x43cm 24x30cm 18x24cm
Processing Capacity	Up to 73 IPs/hr.
Reading Specification	10 pixels /mm, 5 pixels/mm
Network	10 Base T/100 Base TX
Dimensions (WxDxH)	560x540x392mm (22"x21"x15")
Weight	39kg (86lbs.)
Power Supply Conditions	Single phase 50-60Hz AC120-240V ±10% 1.9A (max)



www.veterinaryxrays.co.uk